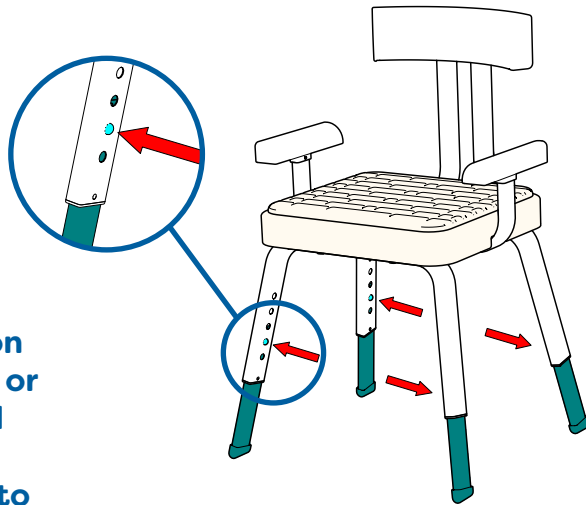


Place the cushion onto the top of the seat base. The pad will locate into the holes on the seat.



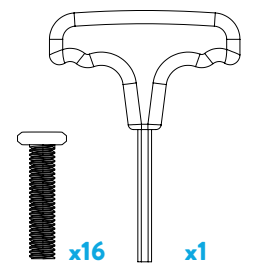
To adjust the seat height, press the spring loaded button and slide the leg up or down to the desired height. Ensure the button is located into the matching hole in each of the four legs.

**SEAT HEIGHT IS ADJUSTABLE FROM 410-520MM**

# SERENITY SHOWER CHAIR



FITTINGS SUPPLIED



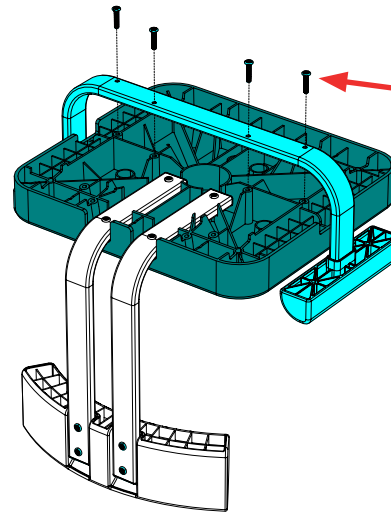
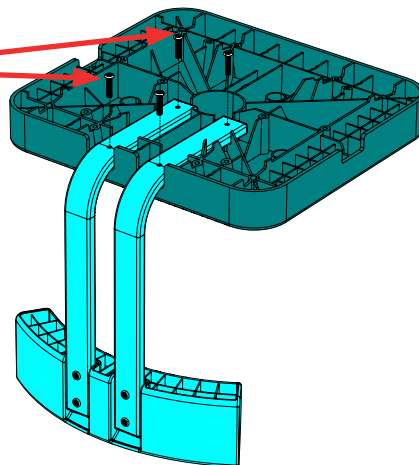
## SAFETY & CARE

1. This product must only be used on a flat level surface.
2. DO NOT STAND ON THE PRODUCT.
3. The maximum load for the product is 113kg/250lbs/17st 12lbs evenly distributed. DO NOT EXCEED THE MAXIMUM LOAD.
4. Always ensure the legs are correctly inserted and locked into the seat frame before use.
5. To retain the best quality finish, clean product regularly with a soft damp cloth.
6. Do not use abrasive or chemical cleaners, as these will damage the product.
7. Rinse and dry the shower seat and cushion after use.

## ASSEMBLY INSTRUCTIONS

1

- Attach the back rest bars to the seat base.  
Use 4 bolts to secure the arm rest.  
(do not overtighten the bolts)



- Attach the arm rest bar to the seat base.  
Use 4 bolts to secure the arm rest.  
(do not overtighten the bolts)

2

3

- Attach both legs to the seat base.  
Use 8 bolts to secure both of the legs.  
(do not overtighten the bolts)

